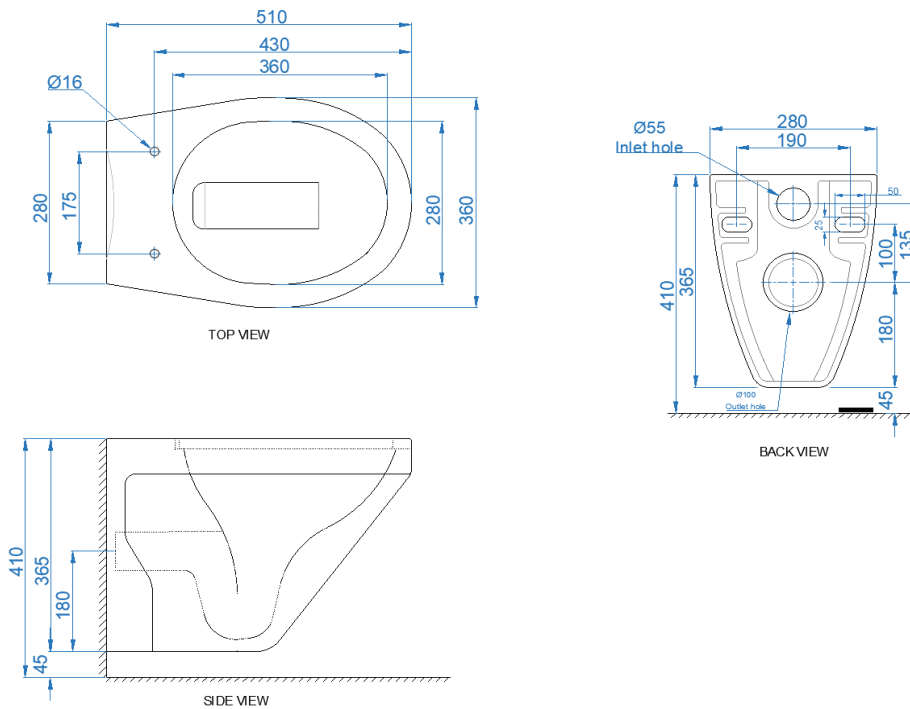


Product Images



Description	ATINA WALL HUNG WITH SEAT COVER	
USP	Open rim, oval shape, easy installation, elongated installation hole, suitable for the smaller size washroom, extended trap seal area, dual flush 3/6 ltr, soft close PP seat cover.	
Colour	White	
Technical details	Internal diameter of inlet hole $\varnothing 55 \pm 3$ mm	
	External diameter of outlet hole $\varnothing 100 \pm 5$ mm	
	Regular & dual advantages	
	Horizontal outlet	
	Material: Ceramic - Vitreous China	
Product Dimensions	360x510x365mm	
Product net weight	14.2kg(Approx)	
Product gross weight	18.2kg(Approx)	
Certifications	EN:14688:2015 All technical dimensions are in accordance to British standards and Bureau of Indian Standards	CE
Accessories provided	Seat cover, Rag bolt, inlet outlet gasket.	

Product Technical Drawing



DISCLAIMER: Our every effort has been made to ensure factual accuracy, the information presented subject to changes due to requirements in different sites, markets and/ or countries. All dimensions are in mm (Tolerance ± 5 MM). Somany reserves the right to make the necessary amendments at any time without prior notice.