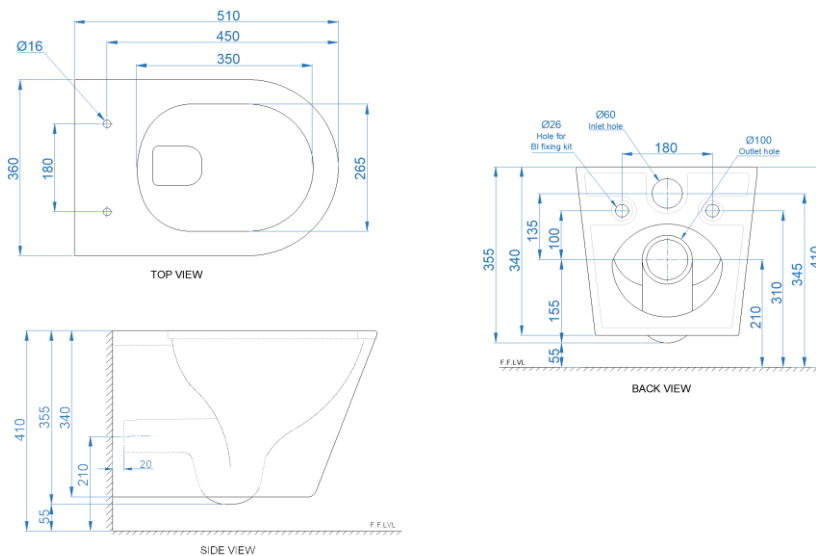


Product Images



Description	EIFFEL PLUS WALL HUNG WC	
USP	D- shape with Blind installation provision, rimless design, hassle free installation, dual flush, 3/6 lpf, soft close with top fixing slim seat cover.	
Colour	White, black matt, grey matt	
Technical details	Internal diameter of inlet hole $\varnothing 60 \pm 3$ mm	
	External diameter of outlet hole $\varnothing 100 \pm 5$ mm	
	Regular and dual flush advantages	
	Blind installation provision	
	Horizontal Outlet	
	Material: Ceramic - Vitreous China	
Product Dimensions	360x510x355mm	
Product net weight	24.1kg(Approx)	
Product gross weight	29.2kg(Approx)	
Certifications	EN:14688:2015 All technical dimensions are in accordance to British standards and Bureau of Indian Standards	CE
Accessories provided	Seat cover, BI installation kit, inlet & outlet gasket.	

Product Technical Drawing



DISCLAIMER: Our every effort has been made to ensure factual accuracy, the information presented subject to changes due to requirements in different sites, markets and/ or countries. All dimensions are in mm (Tolerance ± 5 MM). Somany reserves the right to make the necessary amendments at any time without prior notice.