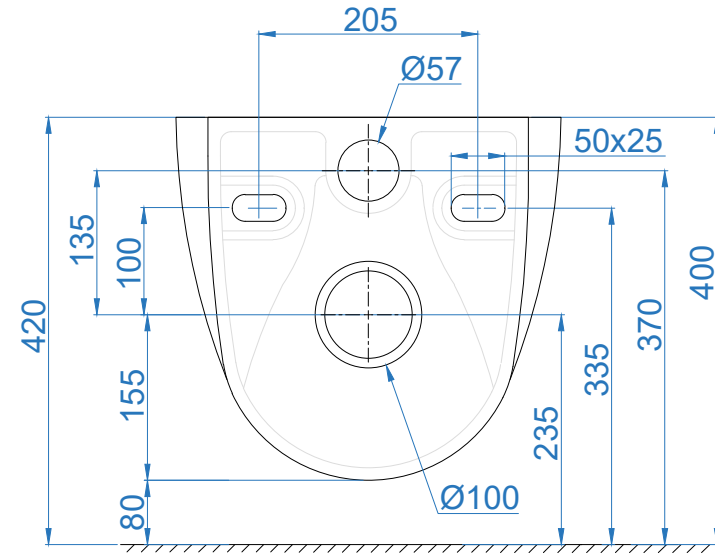
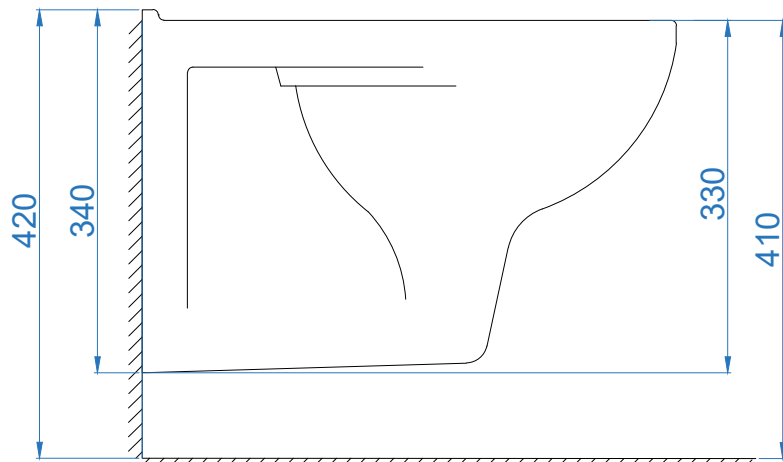



TOP VIEW



BACK VIEW



SIDE VIEW

|   |   |                     |
|---|---|---------------------|
|    | ITEM CODE                                       |                     |
|   | ITEM TYPE                                       | EVANCE WALL HUNG WC |
| <b>Somany Bathware</b><br>Corporate Office : F-36, Sector-6, Noida - 201301, Uttar Pradesh<br>Website : <a href="http://www.somanyceramics.com">www.somanyceramics.com</a><br>E-mail : <a href="mailto:marketing@somanyceramics.com">marketing@somanyceramics.com</a><br>Customer Service : <a href="mailto:customer.support@somanyceramics.com">customer.support@somanyceramics.com</a><br>Toll free : 1800-1030-004 | ITEM SIZE                                       | 360x495x340mm       |
|   | ALL DIMENSIONS ARE IN MM.<br>(TOLERANCE ± 5 MM) |                     |