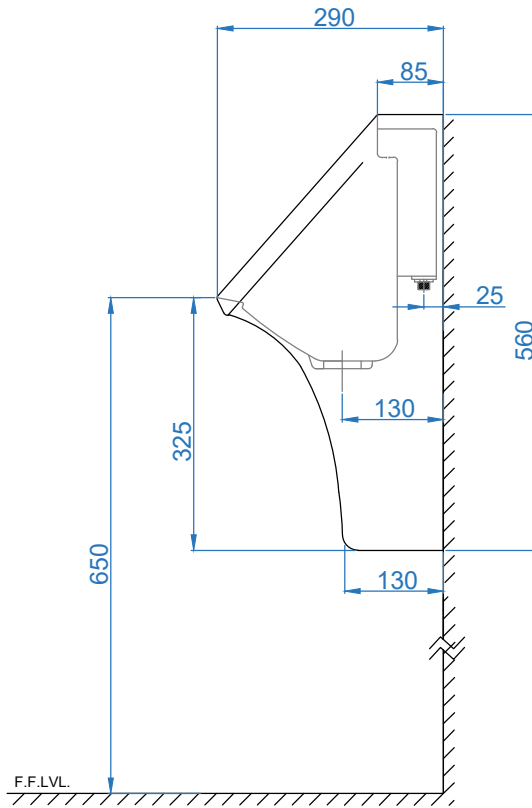
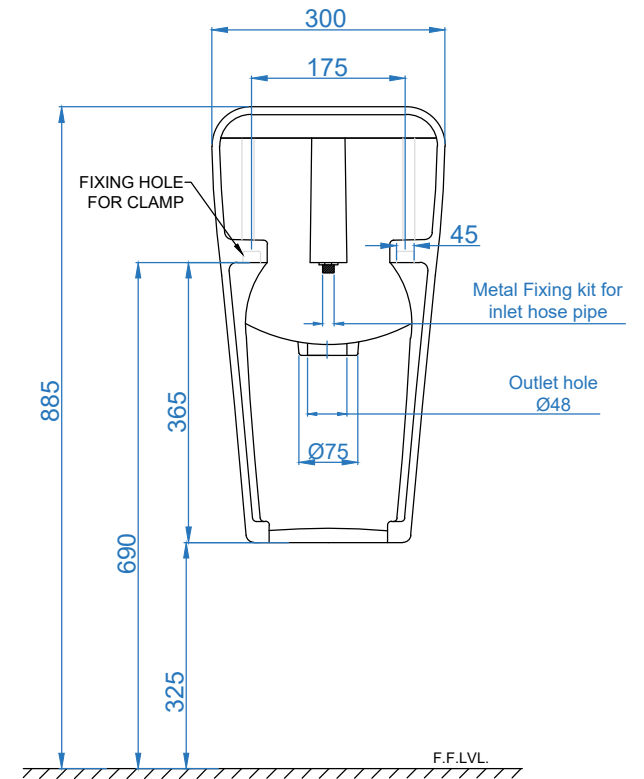


TOP VIEW



SIDE VIEW



BACK VIEW

SOMANY
Bathware

Somany Bathware

Corporate Office : F-36, Sector-6, Noida - 201301, Uttar Pradesh
 Website : www.somanyceramics.com
 E-mail : marketing@somanyceramics.com
 Customer Service : customer.support@somanyceramics.com
 Toll free : 1800-1030-004

ITEM CODE

ITEM TYPE

ITEM SIZE

ALL DIMENSIONS ARE IN MM.
(TOLERANCE ± 5 MM)

JOVEN Urinal

300x290x560mm