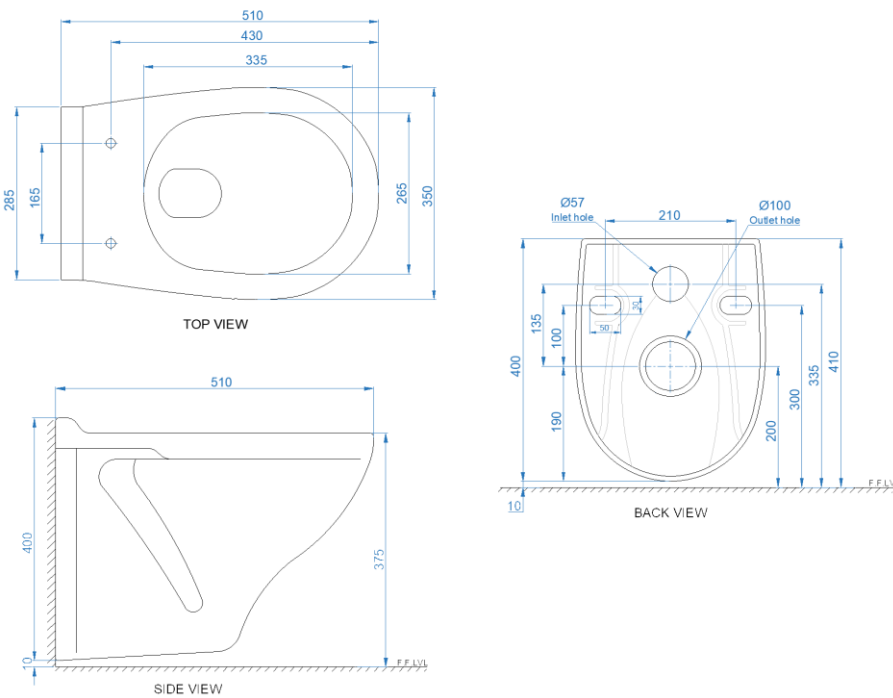


Product Images



Description	NICK WALL HUNG WITH SEAT COVER	
USP	Open Rim, round Shape, compact design, easy installation, elongated installation holes, suitable for the smaller washroom, dual flush 3/6 Lpf, soft close PP seat cover.	
Colour	White	
Technical details	Internal diameter of inlet hole $\varnothing 57 \pm 3\text{mm}$	
	External diameter of outlet hole $\varnothing 100 \pm 5\text{mm}$	
	Regular & dual advantages	
	Horizontal outlet	
	Material: Ceramic - Vitreous China	
Product Dimensions	390x305x160mm	
Product net weight	14.3kg(Approx)	
Product gross weight	17.5kg(Approx)	
Certifications	EN:14688:2015 All technical dimensions are in accordance to British standards and Bureau of Indian Standards	CE
Accessories provided	Seat cover, rag bolt, side cap, inlet & outlet gasket.	

Product Technical Drawing



DISCLAIMER: Our every effort has been made to ensure factual accuracy, the information presented subject to changes due to requirements in different sites, markets and/ or countries. All dimensions are in mm (Tolerance $\pm 5\text{MM}$). Somany reserves the right to make the necessary amendments at any time without prior notice.