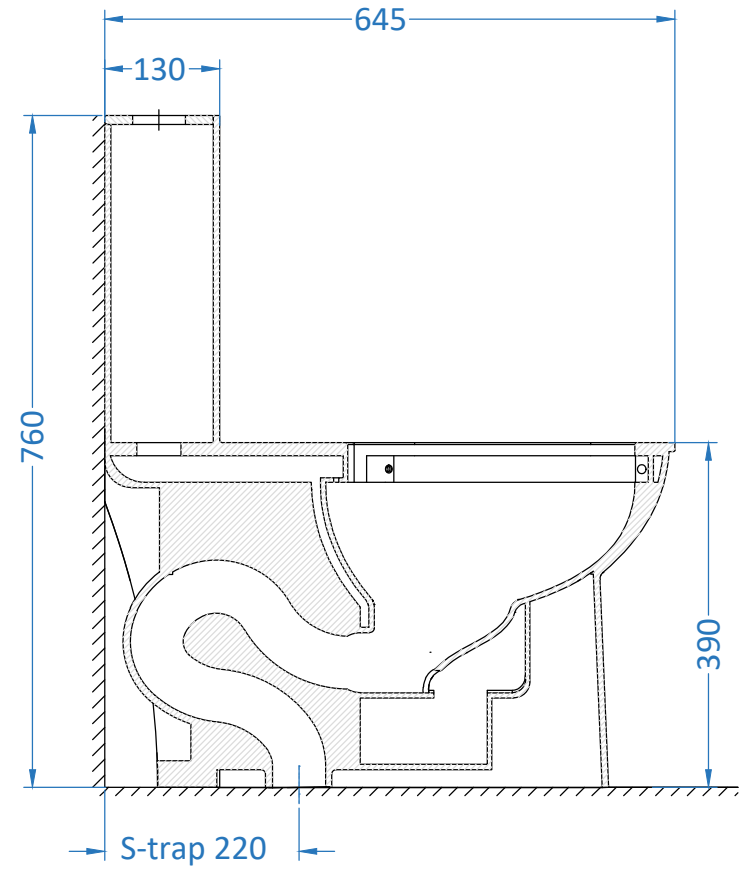
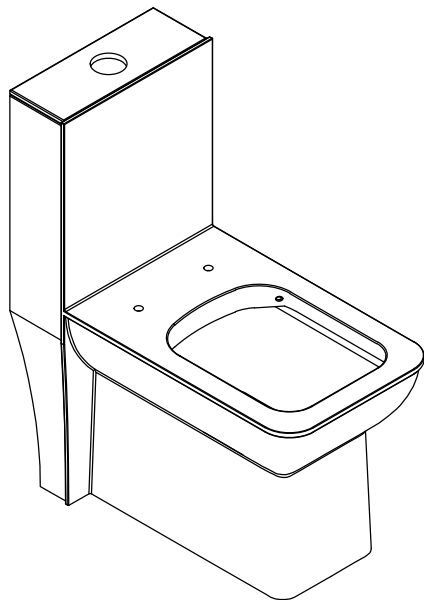


TOP VIEW



SIDE VIEW



ISOMETRIC VIEW

SOMANY Bathware	ITEM CODE	
	ITEM TYPE	Frame one piece toilet
Somany Bathware Corporate Office : F-36, Sector-6, Noida - 201301, Uttar Pradesh Website : www.somanyceramics.com E-mail : marketing@somanyceramics.com Customer Service : customer.support@somanyceramics.com Toll free : 1800-1030-004	ITEM SIZE	345x645x760mm
	ALL DIMENSIONS ARE IN MM. (TOLERANCE ± 5 MM)	